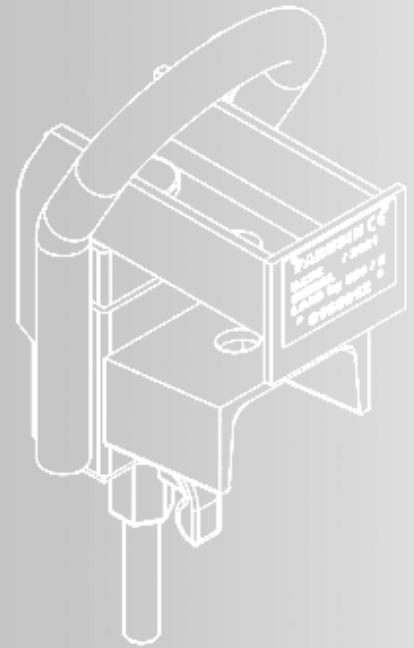
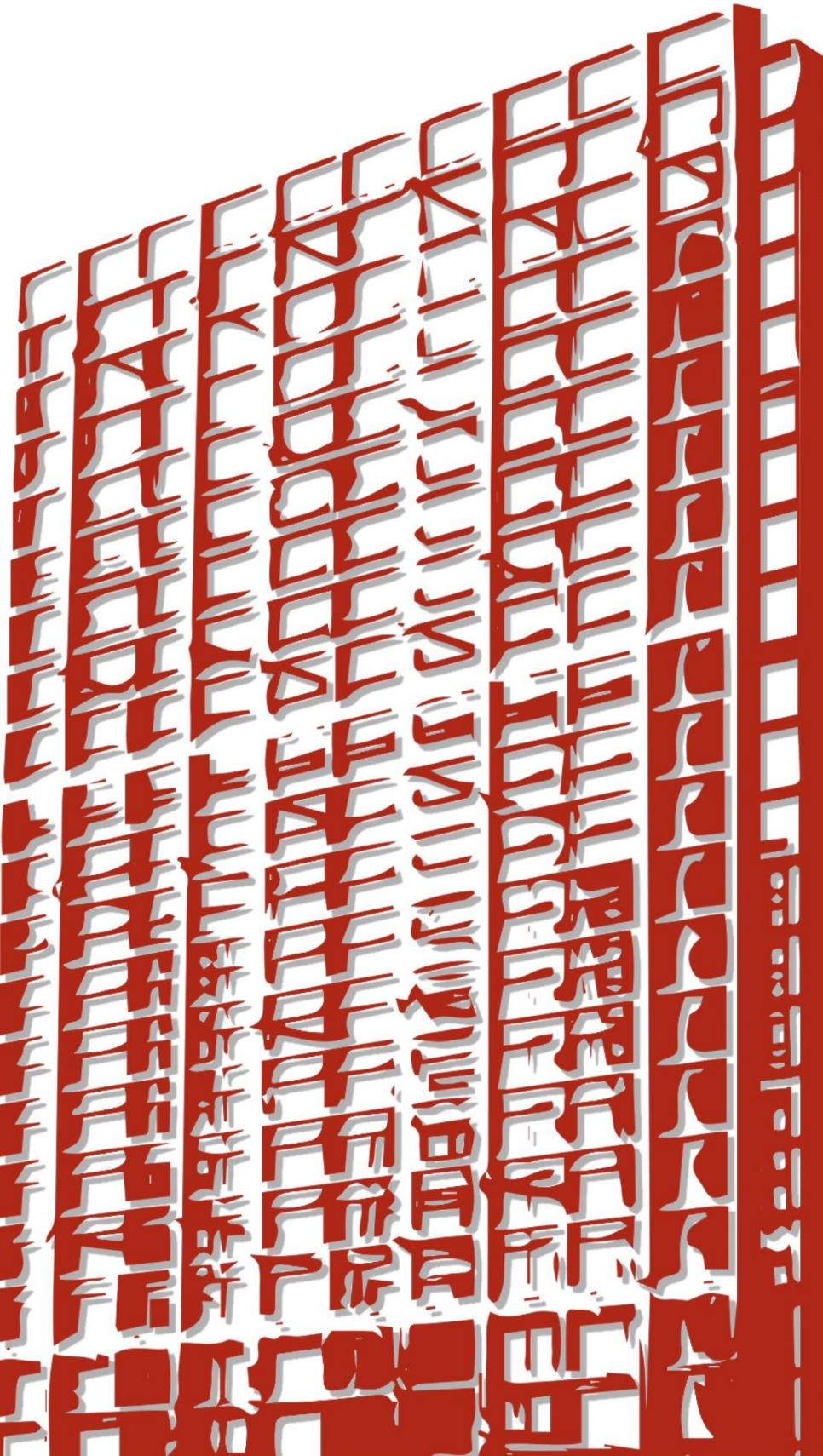


INSTRUCTIONS FOR ASSEMBLY AND USE

LIFTING HOOK- S100

ID NO: 01.02



PLEASE READ THIS MANUAL CAREFULLY BEFORE USING THE PRODUCTS PROVIDED.

TO THE EXTENT PERMITTED BY THE LAW, FARESIN FORMWORK S.P.A. UNIPERSONALE SHALL REMAIN THE SOLE OWNER OF THIS MANUAL, WITH PROHIBITION TO PROPOSE, COPY OR DISCLOSE IT TO ANY THIRD PARTIES WITHOUT EXPRESS WRITTEN AUTHORIZATION TO DO SO.

V.02.18

CONTENTS

CONTENTS	0
GENERAL	2
DEFINITION	3
PRESENTATION OF THE PRODUCT	4
LIFTING HOOK	5
INSTALLATION OF THE LIFTING HOOK	6
LIFTING AND HANDLING	7
CONTROL OF THE LIFTING HOOK	9
MAINTENANCE OF THE LIFTING HOOK	9
INSPECTION PROCEDURE	10
GENERAL SAFETY GUIDELINES	10
USE OF PERSONAL PROTECTIVE EQUIPMENT (PPE)	11
NORMATIVE REFERENCES	12

GENERAL

FARESIN FORMWORK S.p.A. UNIPERSONALE (hereinafter referred to as “**FARESIN FORMWORK**”) is constantly committed to guaranteeing the maximum quality of its products by providing satisfying assistance service to its customers. Continuous product improvement is a company policy goal and is also pursued through customer collaboration. For any specific information not contained herein, and to receive assistance, it is always possible to contact the company's technical service, which is available to respond accordingly to the most diverse needs.

FARESIN FORMWORK S.p.A. UNIPERSONALE

Technical Service

Via della Meccanica 1

36042 Breganze (VI)


tel. +39 0445 300 300

fax +39 0445 306 682

email: tecnico@faresinformwork.com www.faresinformwork.com

FARESIN FORMWORK guarantees its products only if they are used in accordance with the methods described herein. If a product is not compliant with the information provided in the manual, it is necessary to notify the company's Technical Service promptly, providing all required information.

Faresin Formwork guarantees its products only if they are used correctly as described in this manual. If the products do not conform to the descriptions in the manual contact the company's Technical Service, and provide all the required information.

 This manual only illustrates the hazards caused by the use of the lifting hook in standard predefined conditions, without entering into the areas of specific construction site conditions and/or interferences with other works executed simultaneously with the use of this system and/or equipment used for its execution and use. Therefore, interferences with other works and situations of use, that can expose the operators to specific risks or that can in any way reduce the performance of lifting hook, will need an accurate analysis within the scope of the specific construction site.

Faresin Formwork supplies, on customer's request, services which include erection, verification and dimensioning of the floor deck for specific applications.

No information, even partial, contained in this document may be reproduced, transmitted, copied or stored in a search system, or translated into another language, in any form whatsoever, without the prior written authorisation of FARESIN FORMWORK.

This user's manual is subject to constant updating and review without prior notice; the user must ensure that he is in possession of the most up to date version before beginning to use the LIFTING HOOK system.

DEFINITION

- **Operating cycle**: the cycle comprising an erection phase followed by dismantling and handling.
- **Standard conditions for use**: conditions in which the lifting hook system is correctly erected by trained personnel, suitably braced against accidental horizontal actions, erected on a flat concrete surface free from sagging. These are the conditions considered in this manual for the definition of the load-bearing capacity of the lifting hook system.
- **P.P.E** : personal protective equipment
- **Use**: application phase that begins with a correct erection.
- **Installation**: phase for erecting the support comprising high capacity steel and/or aluminium props, starting with the single elements and their accessories.
- **Erection**: sequenced assembly of all the elements required to correctly erect the scaffold deck.
- **Dismantling**: ordered removal of the individual elements utilized

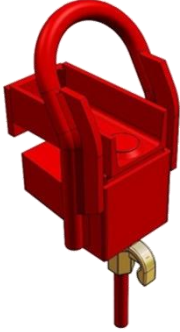
In this manual information is highlighted as explained below:

Mandatory instructions that must be implemented in order to ensure correct use of the products and to avoid potentially dangerous situations are printed in bold italic font.



This symbol indicates PAY SPECIAL ATTENTION to the instructions to ensure correct use of the products.

PRESENTATION OF THE PRODUCT

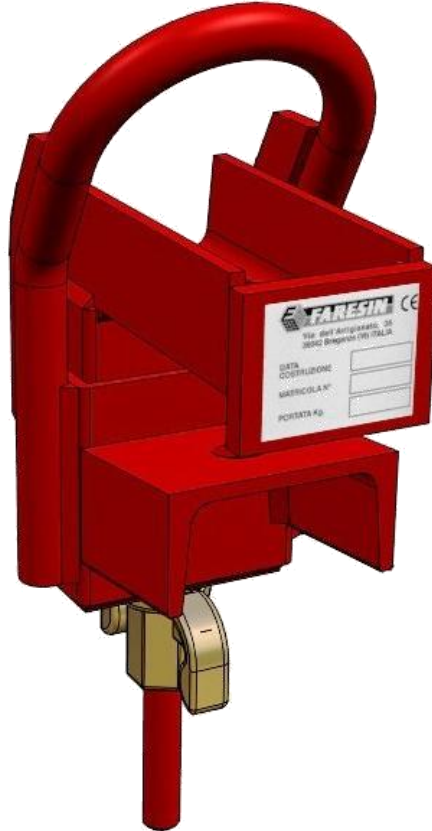
	<p>LIFTING HOOK FOR S100 PANELS</p>	<p>8168012</p>	<p>6.50</p>
---	--	-----------------------	--------------------



THE REQUIREMENT CONTAINED IN THIS USER MANUAL, INCLUDING EXAMPLES, ARE APPLICABLE WITHOUT DISTINCTIONS AT HOOK FOR S100 AND S120 PANELS

LIFTING HOOK

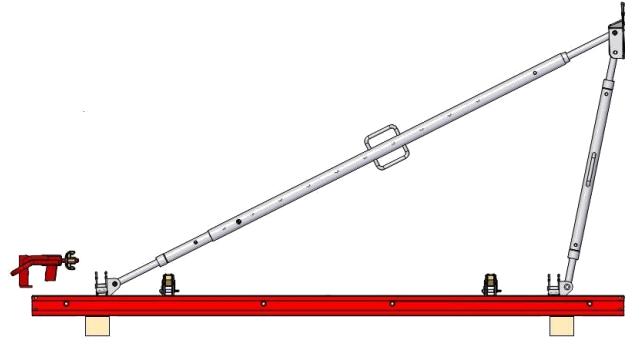
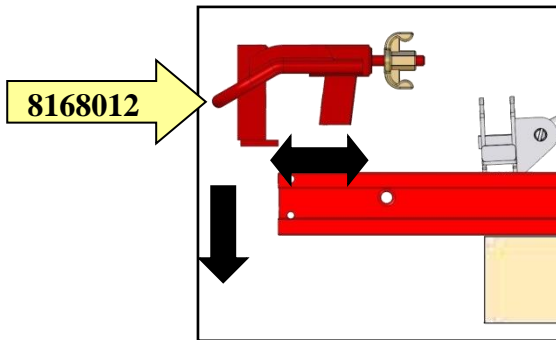
The lifting hook has a load lifting capacity up to 550 Kg. Use two or more hooks to move the panel assemblies.



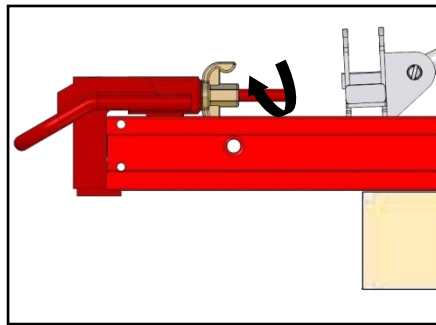
A PLATE BEARING ALL THE INFORMATION REQUIRED FOR ITS USE IS AFFIXED TO THE LIFTING HOOK.

INSTALLATION OF THE LIFTING HOOK

Make sure you are using lifting hooks that are suitable for the profile of the formwork, in this case A100, and that you do not exceed the specific capacity for each separate hook.

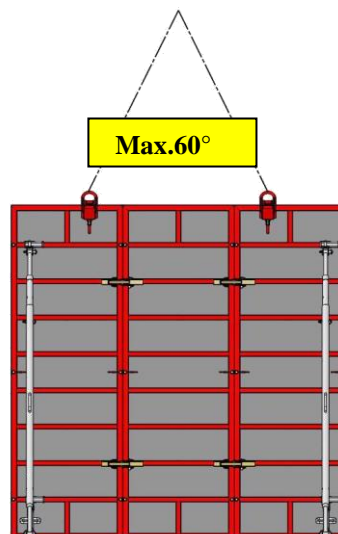


Any time that the hook is used, it must be locked firmly in place by means of the wing nut.



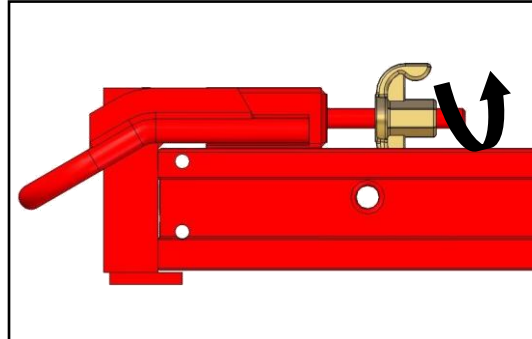
Avoid knocking the threaded bar.

The lifting hooks must be positioned at such a distance that the connecting ropes form an angle of max 60°.

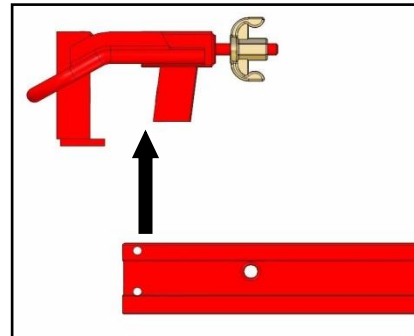
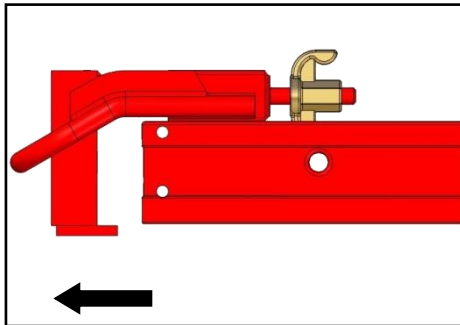


REMOVING THE LIFTING HOOK

Loosen the wing nut.



Slide the mobile part of the hook till the hook slides off the panel profile.



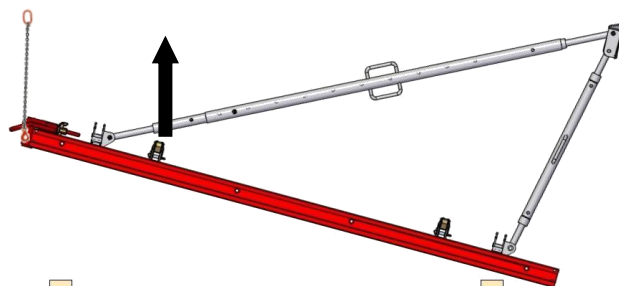
Avoid knocking the threaded bar.

LIFTING AND HANDLING

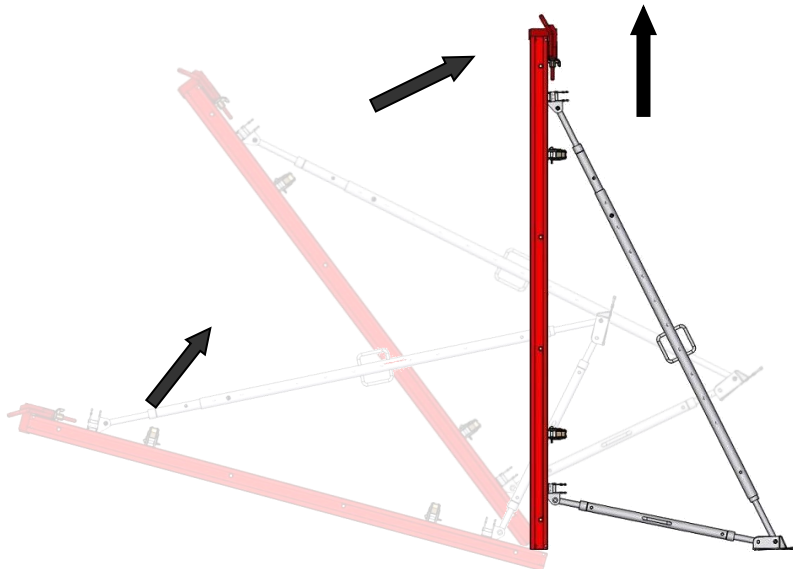
Use adequate lifting equipment to raise the previously assembled wall and move it to the required place of use.



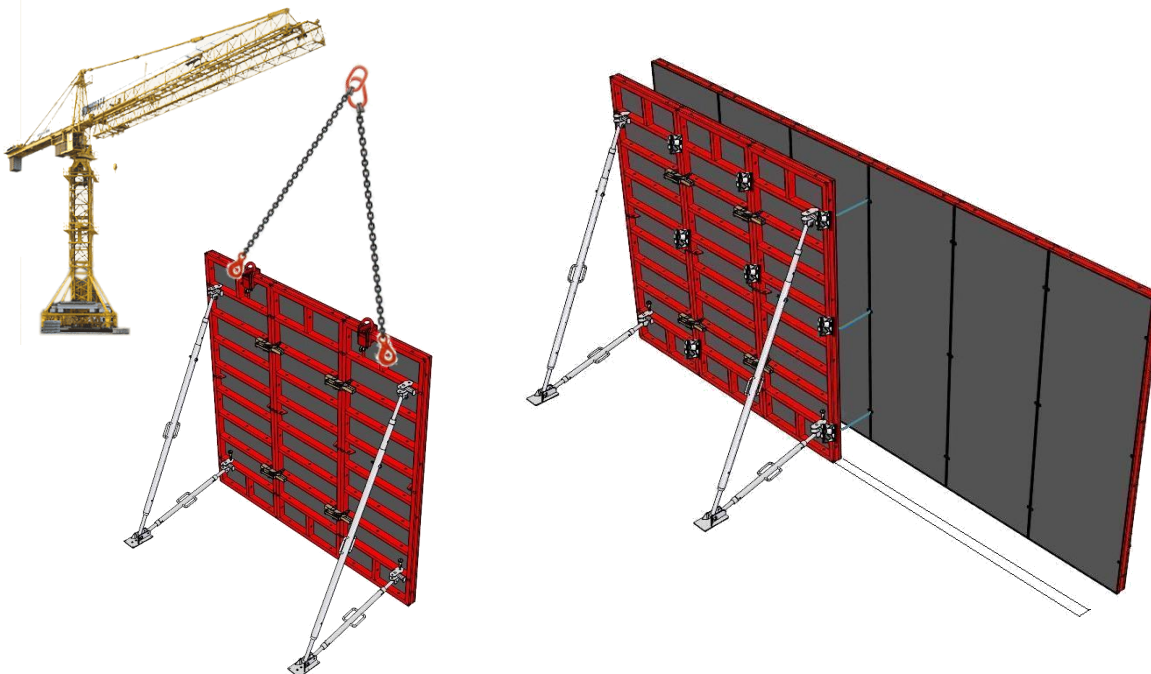
NEVER STAND UNDER SUSPENDED LOADS



To avoid damaging the plywood and scratching the frame we recommend using a crane to raise it to a vertical position before lifting it off the ground.



Adopt all the necessary precautions when handling the formwork sections to deal with any movement caused by the action of the wind.



When handling the material never stand under the suspended structure 1



When placing the formworks vertically make them stable to avoid accidental falls, also taking into consideration the horizontal force exerted by the wind or sudden atmospheric conditions.

This manual includes both written information and images which belong exclusively to Faresin Formwork S.p.A. Unipersonale, as well as privileged information protected by the law. It is expressly forbidden to improperly use, disclose or reproduce this manual, in whole or in part, to any third parties, unless such use, disclosure or reproduction has been previously allowed in writing by Faresin Formwork S.p.A. Unipersonale. Any violation of Faresin Formwork S.p.A. Unipersonale's rights related to the contents, images and privileged information included in the manual will be prosecuted under the law.

CONTROL OF THE LIFTING HOOK

After each application check the hook for damage or deformation caused by impact that may have occurred during use. Carefully check that all the weld points are intact.



MAINTENANCE OF THE LIFTING HOOK

Apart from a visual check of the structure, as described above, the sliding parts of the hook and the threaded bar also require continuous lubrication.



INSPECTION PROCEDURE

The inspection includes at least one visual control of all the elements and an operational control. The controls can be extended at the discretion of the inspector and in fact, they must be, whenever there is any evidence of a possible problem.

As a minimum the controls must include:

Visual control:

- presence of all parts required for correct erection, including all the connecting hardware: bolts, pins, wedges, etc...;
- deformation, abrasions, skewing, torsions or presence of other defects;
- wear of the timber mantle and threaded elements and steel corrosion;
- measuring of the elements;
- presence of cracks on welding or elements;

Operation control:

- efficiency of the connecting hardware;
- smooth movement of the moving parts (joints, connections, etc...).


The inspection results must be recorded in the log book, including the following details: date, place, type and number of elements controlled, any deformities found, elements disposed of, name and qualifications of the inspector.

GENERAL SAFETY GUIDELINES

In order to guarantee a suitable level of safety during the use of the products it is important for users to note that collective protection devices always predominate over personal protective devices.

The personal protective equipment (PPE) must be considered supplementary devices, not substitutes, of the provisional works and work guidelines and instructions.

It is understood from the information given below that all the equipment used in the works must comply with current regulations.

 Remove all elements or accessories with evident defects (damage, folds, cracks, etc...) from the construction site to ensure they are not used.

USE OF PERSONAL PROTECTIVE EQUIPMENT (PPE)

Wear protective gloves, safety footwear, suitable work clothes, a safety hat and suitable safety devices to protect users against falling from a height during all the phases involving handling, assembly and use of the LIFTING HOOK system.



Impact and blows from heavy and blunt loads are inherent dangers when handling, assembling and dismantling the Lifting hook system; these operations must be carried out by personnel wearing suitable personal protective equipment such as gloves, safety hat and footwear.

Ensure your safety against falling from heights by using suitable safety belts hooked to points that will guarantee adequate hold, in all work phases that are carried out at heights and particularly during the erection and stripping of the system at heights specified by current safety regulations.

During the concrete pour wear suitable equipment, safety footwear, eye and hand protection, and any other equipment included in the safety guidelines.

⚠ Adhere strictly to all the specific instructions contained in this manual to ensure correct use of all the elements comprising the Lifting hook system.

Specific regulations concerning safety standards exist for all elements produced by Faresin Formwork designed for use in construction sites.

NORMATIVE REFERENCES

For any information not directly recalled in this manual refer to the most recent safety standards in force in the specific country of use.

The main Italian regulations concerning safety on construction sites are:

D.LGS (Legislative Decree) 494/96 – 528/99

“TRANSPOSED EUROPEAN DIRECTIVE 92/57/EEC CONCERNING THE MINIMUM SAFETY AND HEALTH STANDARDS TO BE APPLIED IN TEMPORARY OR MOBILE WORK SITES”

D.Lgs. (Legislative Decree) 81/08

“CONSOLIDATION ACT ON HEALTH AND SAFETY”

The regulations provide general guidelines and requirements that must also be adhered to when using Faresin Formwork products. This manual integrates the standard requirements that must be applied autonomously.

⚠ Note that, pursuant to DPR 164/56, falseworks for big works, that are not included in the current use outlines, must be executed according to a design prepared by an engineer, with all the stability calculations included. Before setting the falsework and the framework the ground resistance or the resistance of the structure on which they are to be placed must be checked in order to prevent possible yielding.

June 2018



TOGETHER WE BUILD THE WORLD

GET IN TOUCH

Via della Meccanica, 1
36042 Breganze (VI) Italy
Tel. +39 0445 300300
Fax. +39 0445 874748
info@faresinformwork.com
www.faresinformwork.com

